

RAINBOW
POOL PRODUCTS



Quality Pool & Spa Products

MAXIM PUMP



Code	Description
	Maxim Pump
08003-0860	08003-0860 4.0HP Three Phase
08004-0860	08004-0860 5.0HP Three Phase
08005-0860	08005-0860 6.0HP Three Phase

SPECIFICATIONS

Maxim Pump

Pump body and support in heat resistant plastic. Double protected shaft S.S. AISI-420 with double isolation and with IP-55 motor. 8 litre capacity strainer. 4" strainer connection 3" male thread union connections. Suction at 1.5 m height.

Code	Standard Packing	Standard Weight kg	Standard Volume m ³
------	------------------	--------------------	--------------------------------

(4.0 HP) 415 Volt

08003-0860 1 32 0.184

m.w.h.	8	10	12	14	16	19.5
m ³ /h	56	50	42	34	23	0

(5.0 HP) 415 Volt

08004-0860 1 34 0.184

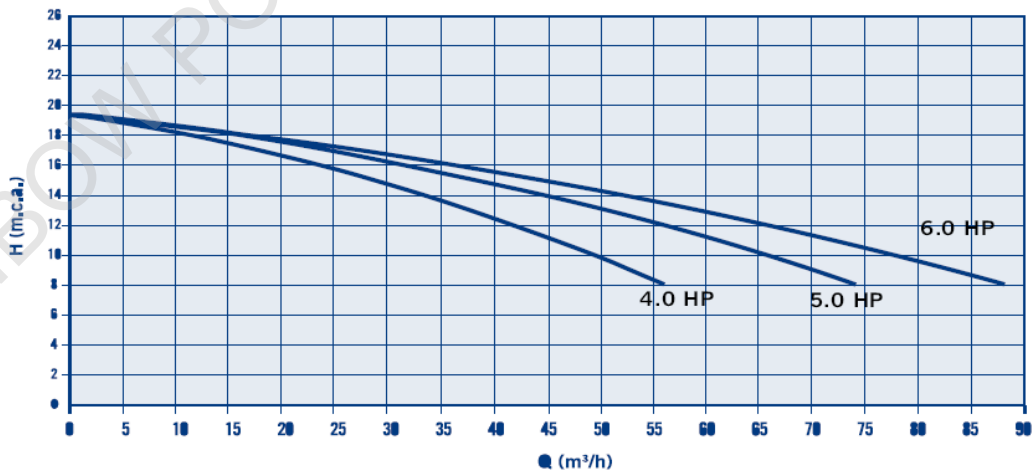
m.w.h.	8	10	12	14	16	19.5
m ³ /h	74	66	57	46	30	0

(6.0 HP) 415 Volt

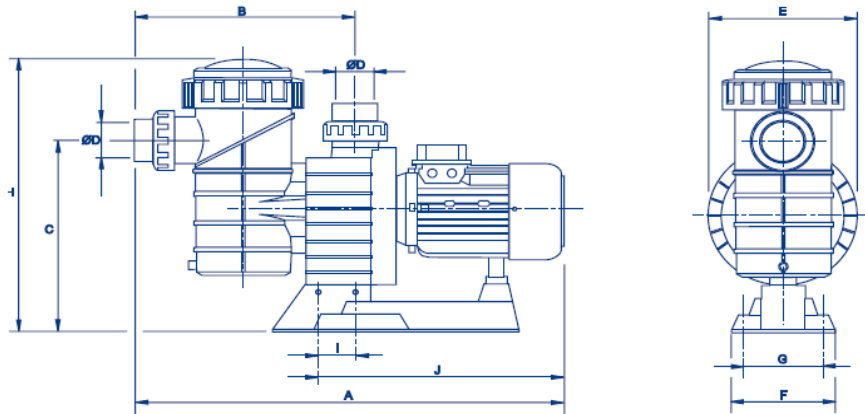
08005-0860 1 37 0.184

m.w.h.	8	10	12	14	16	19.5
m ³ /h	88	78	67	53	34	0

Performance curves



Dimensions



Technical Features

Model	Type	Voltage	A mm	B mm	C mm	Ø D mm	E mm	F mm	G mm	H mm	I mm	J mm
08003-0860	4.0 HP	230/400	815	430	385	90	287	200	140	530	65	468
08004-0860	5.0 HP	230/400	815	430	385	90	287	200	140	530	65	468
08005-0860	6.0 HP	230/400	847	430	385	90	287	200	140	530	65	500

Product Code	Flow Rate @ 8 m/h	Full Load Amps
--------------	-------------------	----------------

Maxim Pump - 4.0 HP
 Maxim Pump - 5.0 HP
 Maxim Pump - 6.0 HP

08003-0860	935 lpm	3.2
08004-0860	1235 lpm	4.1
08005-0860	1470 lpm	4.9