

## **BX HIGH PERFORMANCE PUMP - THREE PHASE**



### **Code**

### **Description**

#### **BX High Performance Pump**

***3 Year Warranty***

11496	BX1.0	1.00HP	Three Phase
11497	BX1.5	1.50HP	Three Phase
11498	BX2.0	2.00HP	Three Phase
11499	BX3.0	3.00HP	Three Phase

# SPECIFICATIONS

## BX High Performance Pump - Three Phase

**Description:**

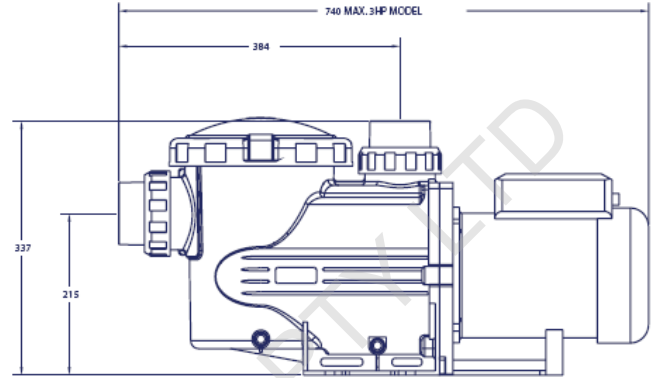
Astralpool Australia's premier high performance pump.

**Ordering:**

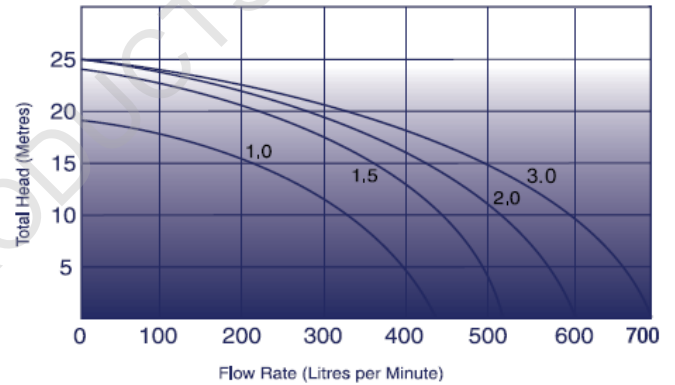
Please specify product number when ordering.

**Warranty Guide:**

Limited three (3) year warranty on all components. Refer to instructions and website for full warranty details



Model	Voltage	Phase	Input	Full Load
BX1.0	415	Three	1300	1.9
BX1.5	415	Three	1640	2.1
BX2.0	415	Three	2020	2.6
BX3.0	415	Three	2300	3.1



Product Code	Flow Rate @ 8 m/h	Max Noise Level @ 1 mtr
--------------	-------------------	-------------------------

BX 1.0 - 3 Phase High Performance Pump	<b>11496</b>	325 lpm	60 dBA
BX 1.5 - 3 Phase High Performance Pump	<b>11497</b>	440 lpm	60 dBA
BX 2.0 - 3 Phase High Performance Pump	<b>11498</b>	540 lpm	62 dBA
BX 3.0 - 3 Phase High Performance Pump	<b>11499</b>	640 lpm	64 dBA