

RAINBOW
POOL PRODUCTS



Quality Pool & Spa Products

CANTABRIC FILTER



Code	Description
	Top Mounted Cantabric Filter
17890	Cantabric 600 T/M
32996	Cantabric 750 T/M
	Side Mounted Cantabric Filter
15783-0100	Cantabric 600 S/M
15784-0100	Cantabric 750 S/M
22402	Cantabric 900 S/M

SPECIFICATIONS

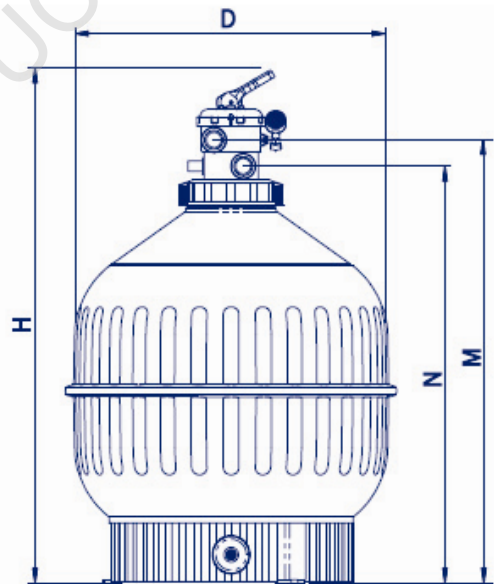
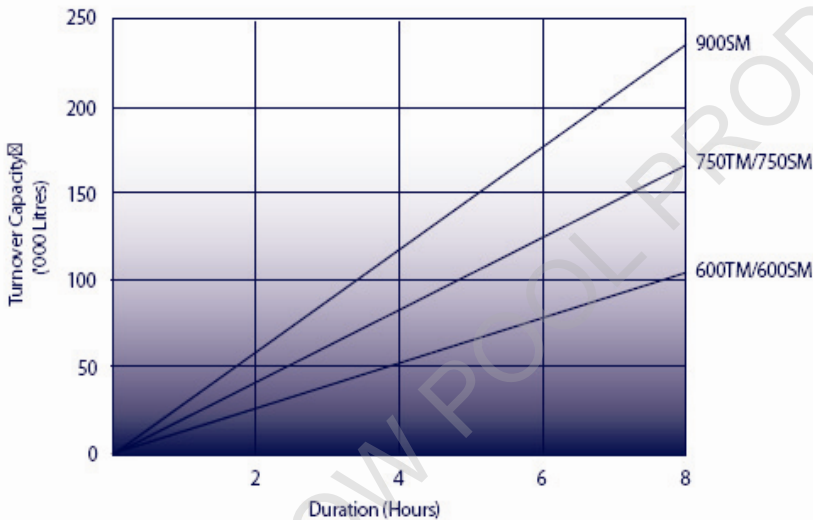
Top Mounted Cantabric Filter

Injection moulded high strength filter tank available in Side Mount or Top Mount multi port valve configurations, screw in laterals, drain valve and self sealing barrel unions. Supplied with pressure gauge, manual air vent, water purge, and multiport valve. Maximum working pressure: 250 KPa.

Top mounted valve. Threaded filter lid in ABS.

14,000 l/h Ø 600 mm outlet 1 1/2"
 21,000 l/h Ø 750 mm outlet 2"

Product Code	Standard Packing	Sand Required
17890	1	125 kg
32996	1	250 kg



Model	Filter Area	Flow rate	Weight	H Dimension	D Dimension	N Dimension	M Dimension
Cantabric 600 T/M	0.30	240	15	1069	600	830	894
Cantabric 750 T/M	0.44	350	25	1250	750	1023	1098

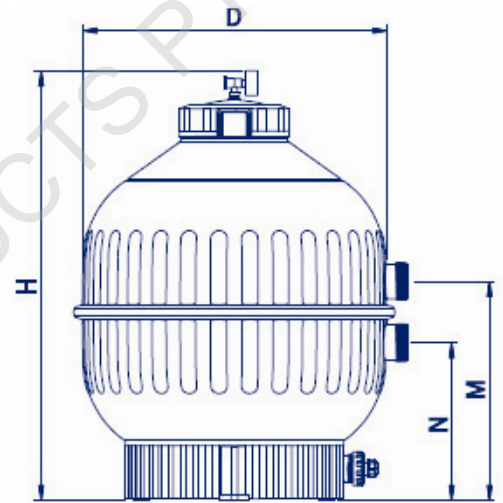
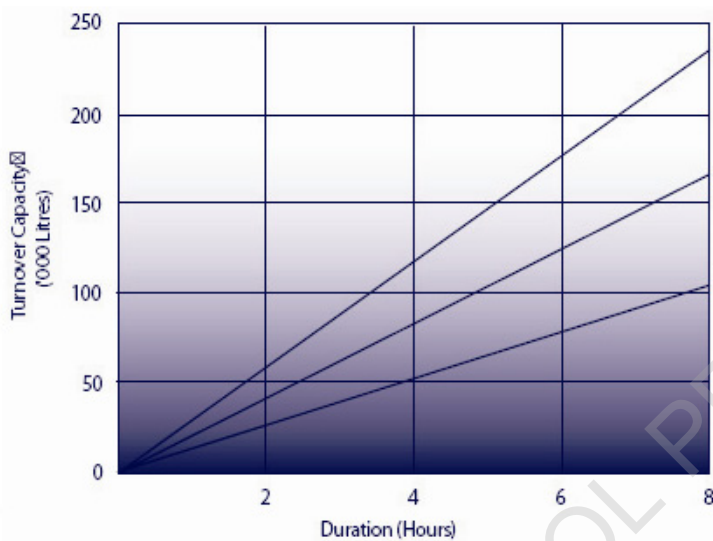
Side Mounted Cantabric Filter

Transparent PVC top & threaded lid in ABS, comes with multiport valve.

With multiport side valve

14,000 l/h Ø 600 mm outlet 1 1/2"
 21,000 l/h Ø 750 mm outlet 2"
 30,000 l/h Ø 900 mm outlet 2 1/2"
 65mm Unions to suit 65mm MPV

Product Code	Standard Packing	Qty Required
15783-0100	1	125 kg
15784-0100	1	250 kg
22402	1	550 kg
02359	1	3



Model	Filter Area	Flow rate	Weight	H Dimension	D Dimension	N Dimension	M Dimension
Cantabric 600 S/M	0.30	240	15	875	600	320	445
Cantabric 750 S/M	0.44	350	25	1045	750	345	575
Cantabric 900 S/M	0.65	500	34	1215	900	405	675