



BERLIN FILTER



Code

Description

00546

Berlin Filter

Berlin 1200

***10 Year Warranty on tank,
12 months on internals***

SPECIFICATIONS

Berlin Filter

Description:

Fibreglass wound, bright satin finish with transparent varnish dust repellent coating. 230mm injected lid fixed with S/S screws. Complete with pressure gauge, manual air vent, water purges

Ordering:

Please specify product number when ordering.

Warranty Guide:

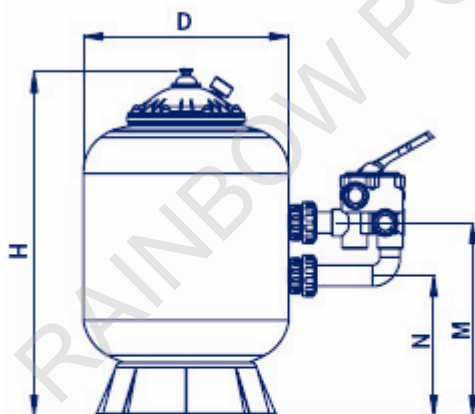
10 Year Tank, 12 months internals.

Refer to instructions and website for full warranty details

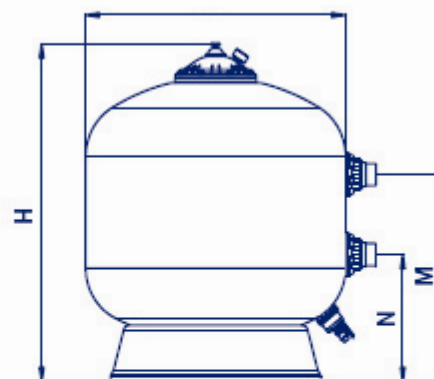
	Without valve 00546
Ø D mm	1200
H mm	1450
M mm	870
N mm	560
Connections	80mm
Flow m ³ /h a 50m ³ /h/m ²	56
Pool (volume) m ³	350-450
Sand kg	800/300
Maximum working pressure kPa	250
Net weight kg	93
Packing volume m ³	2.75

*Filter outlet to be glued to accessories Ø 75 mm.

**Filter outlet with flange Ø 90 mm.



With side valve



Without valve

Product Code	Diameter	M3 Media required	Sand Required
--------------	----------	-------------------	---------------

Berlin 1200 Fibre Glass Sand Filter
80mm Multiport Valve

00546
18515

1200

20 Bags

500 kg