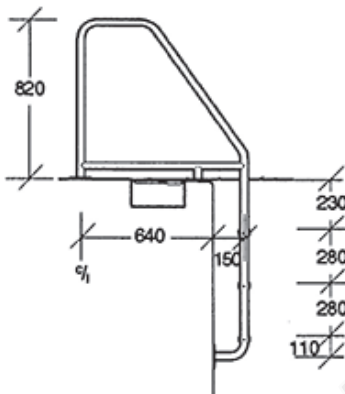


COMMERCIAL LADDER - MODEL LW

Model LW For Commercial Pools With Wet Deck

Code	Description
	Rod re-inforced moulded ladder treads 500mm wide Extra wide for level deck with gutter For sloping wet deck with gutter price on application and drawing is required.
PDA757	2 Step Standard
PDA924	2 Step with Welded Flanges - Top Only
PDA758	2 Step with Welded Flanges - Top & Bottom
PDA759	3 Step Standard
PDA925	3 Step with Welded Flanges - Top Only
PDA760	3 Step with Welded Flanges - Top & Bottom
PDA761	4 Step Standard
PDA926	4 Step with Welded Flanges - Top Only
PDA762	4 Step with Welded Flanges - Top & Bottom



SPECIFICATIONS

Model LW For Commercial Pools With Wet Deck

The Pooldeck LW ladder is designed for pools that have a wet deck. It features a horizontal bar bracing the frame giving it extra strength. The centre leg can be moved for a perfect fit. Fitted with white moulded treads reinforced with stainless steel rod with dome nuts for extra strength, 500 mm wide c/c. Available with a welded flange and cover plates or standard.

Material: Heavy Gauge Stainless Steel 38mmø mirror polished.

Standard: The legs are 100 mm longer at the top which allows you to set the ladder in concrete or epoxy and a suction buffer is fitted to the bottom of the ladder allowing it to rest on the wall without damaging it.

Flanged Top: A flange allows you to fix the Ladder to the pooldeck using a bolt and plug set or similar. (3 per flange) A flange is welded at the top and a suction buffer is fitted to the bottom allowing it to rest on the wall.

Flanged Top & Bottom: A flange allows you to fix the ladder to the pool deck using a bolt and plug set or similar. (3 per flange) A flange is welded at the top and the bottom.