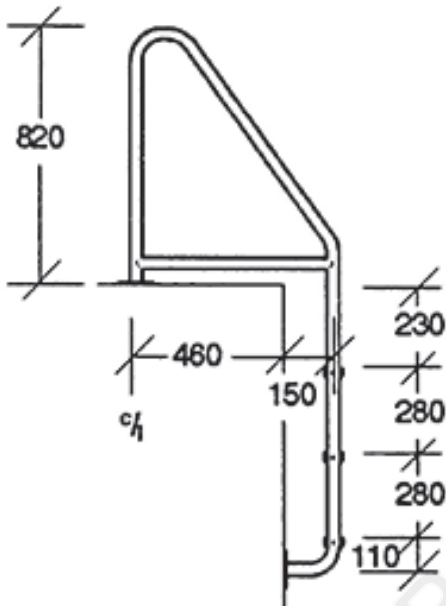


COMMERCIAL LADDER - MODEL LCX



Model LCX Heavy Duty Ladder

Code	Description
	Stainless steel ladder treads 500mm wide.
PDA769	3 Step Flanged Top & Bottom
PDA770	4 Step Flanged Top & Bottom
PDA771	5 Step Flanged Top & Bottom

SPECIFICATIONS

Model LCX Heavy Duty Ladder

The Pooldeck LCX ladder is an extra heavy duty commercial ladder. This is used when you need extra strength. It fits most applications. It features welded stainless steel treads. 500 mm wide c/c. and a horizontal bar bracing the frame giving it extra strength. It is only available with welded flanges that seal the tube.

Material: Heavy Gauge Stainless Steel 38mmø mirror polished.

Flanged Top & Bottom: A flange allows you to fix the ladder to the pool deck using a bolt and plug set or similar. (3 per flange) A flange is welded at the top and the bottom.