

RAINBOW
POOL PRODUCTS

Quality Pool & Spa Products

VIC FILTER



Description

Vic Filter (Sand bed depth: 1.0m)

***2 Year (plus 8 year pro-rate) Warranty on tank,
1 Year Warranty on internals***

Tanks – Maximum working pressure: 250 kPa (2.5 bar) – Test pressure 375 kPa

Tanks – Maximum working pressure: 400 kPa (4.0 bar) – Test pressure 600 kPa

SPECIFICATIONS

Vic Filter

Description:

Bobbin wound fibreglass commercial filters with diameters from 1050mm to 3000mm. Rapid seal filter lid for filters up to 2 metre diameter. Filter lid is 400mm x 500mm with air purge valve, 38mm slotted one piece laterals in parallel layout, 90mm stand pipe, sand dump port, water drain valve, pressure gauge panel. Maximum operating pressure 250 kPa (2.5 bar) and 400 kPa (4.0 bar) models.

Options:

Vinylester interior lining, nozzle plate underdrain, sightglass, side manhole, valve manifold. When ordered with nozzle plate we recommend the inclusion of a side manhole, specify size and position (225mm, 400mm, 500mm or 600mm).

Ordering:

Refer to Options Page for options codes and pricing. All VIC Filters installed above pool water level require double action air relief valve installed with Air Purge Valve (See previous page for Relief Valves).

Warranty guide:

2 year full plus 8 year pro rate warranty on filter tank and 1 year full warranty on internal components. Refer to instructions for full warranty details

Tanks - Maximum working pressure: 250 kPa (2.5 bar) - Test pressure 375 kPa



Collector arms

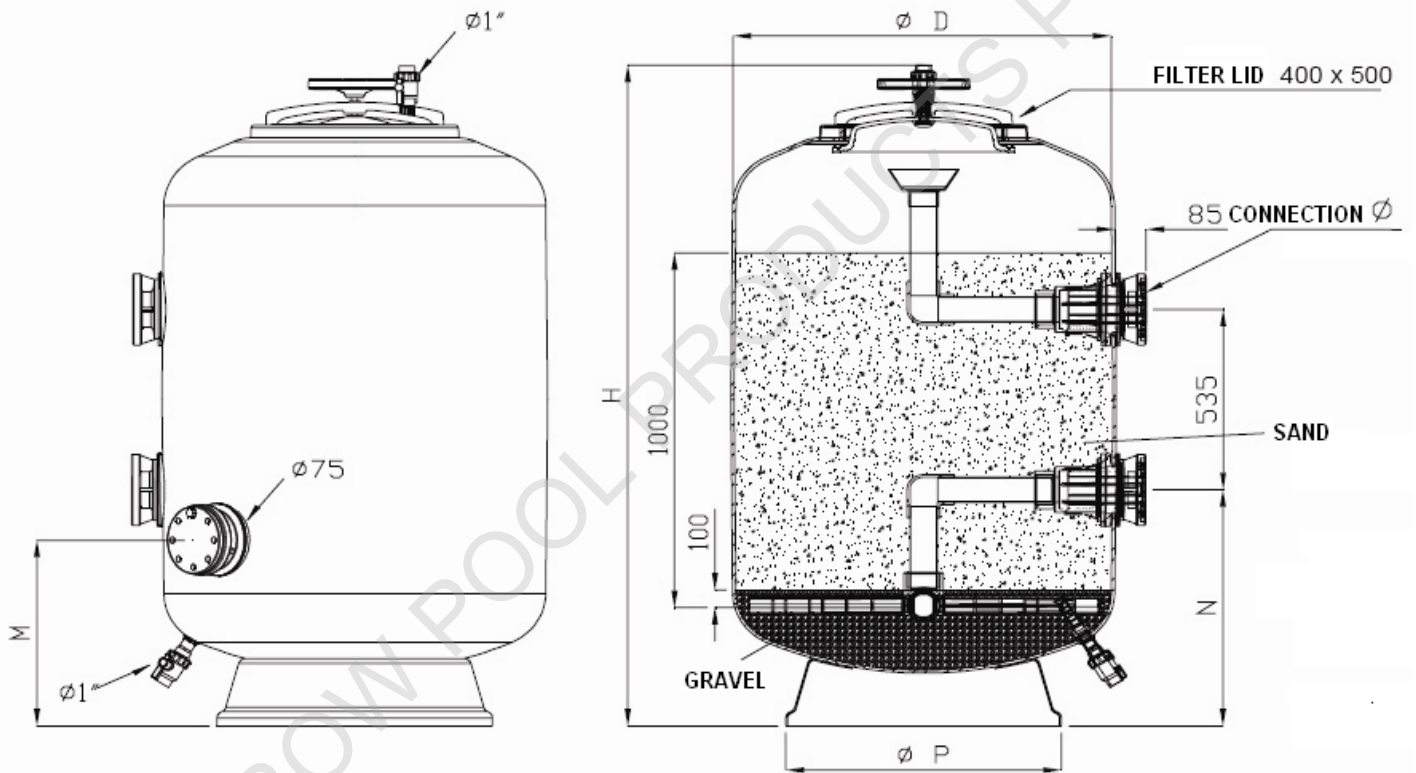


Water purge

Vic filter Ø 1050
 Vic filter Ø 1050
 Vic filter Ø 1200
 Vic filter Ø 1200
 Vic filter Ø 1400
 Vic filter Ø 1400
 Vic filter Ø 1600
 Vic filter Ø 1600
 Vic filter Ø 1800
 Vic filter Ø 1800
 Vic filter Ø 1800
 Vic filter Ø 2000
 Vic filter Ø 2000
 Vic filter Ø 2350
 Vic filter Ø 2500
 Vic filter Ø 2500
 Vic filter Ø 3000
 Vic filter Ø 3000
 Vic filter Ø 3000

Product Code	Velocity m3/h/m2	Flow Rate M3/hr	Connections
11517N	30-40	25/34	65 mm
11526N	50	43	80 mm
11512N	20-30	22/33	65 mm
11522N	40-50	45/56	80 mm
11518N	30	46	80 mm
11523N	40-50	61/77	100 mm
11514N	20	40	80 mm
11519N	30-40	60/80	100 mm
11515N	20	50	80 mm
11520N	30	76	100 mm
11521N	30	94	125 mm*
11516N	20	62	100 mm
11529N	50	157	150 mm
33041	40	175	150 mm
33044	30	150	150 mm
33046	50	250	200 mm*
33047	20	140	150 mm
33049	40	282	200 mm*
33050	50	353	200 mm

Ø D	Sup Filtracion (m ²)	Volume (lts)	H (mm)	L (mm)	N (mm)	M (mm)	P (mm)	Weight (kg)		Peso filtro		
								Gravel 1-2 mm	Sand 0,4-0,8 mm	Gross	Net	In Service
1050	0,86	1200	1950	1000	685	535	760	295	1050	165	150	2080
1200	1,13	1650	1970	1000	680	535	860	390	1375	180	165	2710
1400	1,54	2165	2000	1000	685	535	1020	600	1875	240	225	3760
1600	2,01	2800	2050	1000	695	535	1150	780	2450	275	255	4800
1800	2,54	3540	2080	1000	710	535	1320	1100	3100	315	290	6220
2000	3,14	4460	2150	1000	730	535	1470	1230	3800	395	370	7500



RAINBOW POOL PRODUCTS PTY LTD