

EUROPE FILTER

(maximum working pressure 2.5 kg/cm²)



Description

Europe Filter

Filtration Bed 1m

Filtration Bed 1.2m

SPECIFICATIONS

Europe Filter – Filtration bed 1m

Polyester and fibreglass filters: complete fitted with pressure gauge panel, manual air relief valve and water purge Ø 200 sand discharge port. Ø 400 mm top lid. Suitable for filtration velocities of 20, 30, 40 and 50 m³/h/m². Please enquire for other velocities. All Europe filters can be fitted with valve manifold.

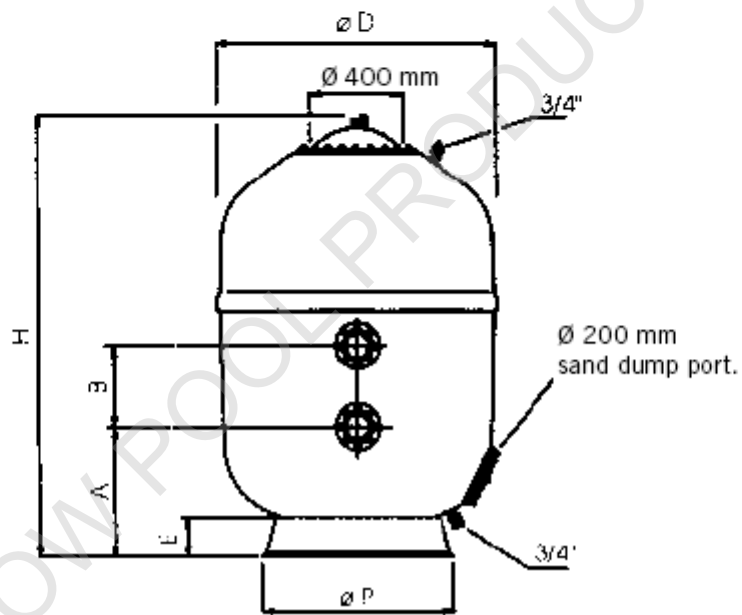
Maximum working pressure 2.5 Kg/cm²

| Diameter Ø mm | Filtration velocity m ³ /h/m ² | Outlet Ø mm | Flow m ³ /h | Code | Standard Packaging | Standard Weight Kg |
|---------------|--|-------------|------------------------|-------|--------------------|--------------------|
| 1050 | 20 | 63* | 17 | 20070 | 1 | 125 |
| | 30/40 | 65 | 25/34 | 20071 | 1 | 125 |
| | 50 | 80 | 43 | 20072 | 1 | 125 |
| 1200 | 20/30 | 65 | 22/33 | 20068 | 1 | 150 |
| | 40/50 | 80 | 45/56 | 20069 | 1 | 150 |
| 1400 | 20 | 65 | 30 | 21497 | 1 | 214 |
| | 30 | 80 | 46 | 21498 | 1 | 214 |
| | 40/50 | 100 | 61/77 | 21499 | 1 | 214 |
| 1600 | 20 | 80 | 40 | 21500 | 1 | 230 |
| | 30/40 | 100 | 60/80 | 21501 | 1 | 230 |
| | 50 | 125* | 100 | 21502 | 1 | 230 |
| 1800 | 20 | 80 | 50 | 21503 | 1 | 344 |
| | 30 | 100 | 76 | 21504 | 1 | 344 |
| | 40 | 125* | 101 | 21505 | 1 | 344 |
| | 50 | 140* | 125 | 21506 | 1 | 344 |
| 2000 | 20 | 100 | 62 | 21507 | 1 | 400 |
| | 30 | 125* | 94 | 21508 | 1 | 400 |
| | 40 | 140* | 125 | 21509 | 1 | 400 |
| | 50 | 150 | 157 | 21510 | 1 | 400 |
| 2350 | 20 | 125* | 87 | 33820 | 1 | 600 |
| | 30 | 140* | 130 | 33822 | 1 | 600 |
| | 40 | 150 | 174 | 33824 | 1 | 600 |
| | 50 | 200* | 217 | 33826 | 1 | 600 |
| 2500 | 20 | 140* | 100 | 34302 | 1 | 630 |
| | 30 | 150 | 150 | 34303 | 1 | 630 |
| | 40 | 200* | 200 | 34304 | 1 | 630 |
| | 50 | 200 | 225 | 34305 | 1 | 630 |

* European Pipe Connections

| Ø (mm) | 1050 | 1200 | 1400 | 1600 | 1800 | 2000 | 2350 | 2500 |
|-----------------------------------|------|------|------|------|------|------|-------|-------|
| Filtration bed height (m) | 1 | 1 | 1 | 1 | 1 | 1 | 1 | 1 |
| H (mm) | 1860 | 1860 | 2000 | 2100 | 2200 | 2200 | 2430 | 2525 |
| B (mm) | 270* | 350 | 400 | 400 | 400 | 400 | 400 | 500 |
| A (mm) | 540 | 570 | 615 | 710 | 725 | 805 | 950 | 1015 |
| Ø P (mm) | 760 | 850 | 1083 | 1230 | 1370 | 1558 | 1830 | 1830 |
| E (mm) | 170 | 180 | 240 | 250 | 270 | 300 | 355 | - |
| Filtration area (m ²) | 0.86 | 1.13 | 1.54 | 2.01 | 2.54 | 3.14 | 4.34 | 4.9 |
| Volume (l) | 1250 | 1575 | 2185 | 2965 | 3850 | 4850 | 7230 | 9385 |
| Sand 0.4 – 0.8 mm (Kg) | 1050 | 1360 | 1820 | 2375 | 3010 | 3750 | 5000 | 5600 |
| Gravel 1 – 2 mm (Kg) | 265 | 325 | 410 | 515 | 760 | 1060 | 2000 | 2920 |
| Total weight in operation | 2060 | 2600 | 3500 | 4700 | 6150 | 7800 | 10786 | 13800 |

* For 2" multiport valve the height will be 230 mm.



Europe Filter – Filtration bed 1.2m

| Diameter Ø mm | Filtration velocity m ³ /h/m ² | Outlet Ø mm | Flow m ³ /h | Code | Standard Packaging | Standard Weight Kg |
|---------------|--|-------------|------------------------|-------|--------------------|--------------------|
| 1050 | 20* | 63* | 17 | 31857 | 1 | 140 |
| | 30/40** | 65 | 25/34 | 31858 | 1 | 140 |
| | 50 | 80 | 43 | 31859 | 1 | 140 |
| 1200 | 20/30 | 65 | 22/33 | 31860 | 1 | 155 |
| | 40/50 | 80 | 45/56 | 31861 | 1 | 155 |
| 1400 | 20 | 65 | 30 | 21511 | 1 | 215 |
| | 30 | 80 | 46 | 21512 | 1 | 215 |
| | 40/50 | 100 | 61/77 | 21513 | 1 | 215 |
| 1600 | 20 | 80 | 40 | 21514 | 1 | 255 |
| | 30/40 | 100 | 60/80 | 21515 | 1 | 255 |
| | 50 | 125* | 100 | 21516 | 1 | 255 |
| 1800 | 20 | 80 | 50 | 21517 | 1 | 385 |
| | 30 | 100 | 76 | 21518 | 1 | 385 |
| | 40 | 125* | 101 | 21519 | 1 | 385 |
| | 50 | 140* | 125 | 21520 | 1 | 385 |
| 2000 | 20 | 100 | 62 | 21521 | 1 | 425 |
| | 30 | 125* | 94 | 21522 | 1 | 425 |
| | 40 | 140* | 125 | 21523 | 1 | 425 |
| | 50 | 150 | 157 | 21524 | 1 | 425 |
| 2350 | 20 | 125* | 87 | 33821 | 1 | 630 |
| | 30 | 140* | 130 | 33823 | 1 | 630 |
| | 40 | 150 | 174 | 33825 | 1 | 630 |
| | 50 | 200* | 217 | 33827 | 1 | 630 |
| 2500 | 20 | 140* | 100 | 34306 | 1 | 860 |
| | 30 | 150 | 150 | 34307 | 1 | 860 |
| | 40 | 200* | 200 | 34308 | 1 | 860 |
| | 50 | 200 | 225 | 34309 | 1 | 860 |

* European Pipe Connections

| Ø (mm) | 1050 | 1200 | 1400 | 1600 | 1800 | 2000 | 2350 | 2500 |
|-----------------------------------|------|------|------|------|------|------|-------|-------|
| Filtration bed height (m) | 1.2 | 1.2 | 1.2 | 1.2 | 1.2 | 1.2 | 1.2 | 1.2 |
| H (mm) | 2060 | 2060 | 2200 | 2300 | 2400 | 2400 | 2630 | 2675 |
| B (mm) | 270 | 350 | 400 | 400 | 400 | 400 | 400 | 500 |
| A (mm) | 540 | 570 | 615 | 710 | 725 | 805 | 950 | 1015 |
| Ø P (mm) | 760 | 850 | 1085 | 1230 | 1370 | 1560 | 1830 | 1830 |
| E (mm) | 170 | 180 | 240 | 250 | 270 | 300 | 355 | - |
| Filtration area (m ²) | 0.86 | 1.13 | 1.54 | 2.01 | 2.54 | 3.14 | 4.34 | 4.90 |
| Volume (l) | 1500 | 1900 | 2650 | 3560 | 4620 | 5820 | 8060 | - |
| Sand 0.4 – 0.8 mm (Kg) | 1300 | 1660 | 2220 | 2950 | 3680 | 4600 | 6130 | 6680 |
| Gravel 1 – 2 mm (Kg) | 265 | 325 | 410 | 515 | 760 | 1060 | 2000 | 2920 |
| Total weight in operation (Kg) | 2375 | 2950 | 4000 | 5475 | 6950 | 8800 | 12180 | 14460 |

