

RAINBOW
POOL PRODUCTS



Quality Pool & Spa Products

DELTA 12 FILTER



Description

Delta 12 Filter (Sand bed depth: 1.2m)

Tanks – Lateral Collector Arms

Tanks – Nozzle Collector Plate

Options

***2 Year Warranty on tank,
1 Year Warranty on internals***

SPECIFICATIONS

Delta 12 Filter

Description:

The Delta 1200 filter is equivalent to the old PTK series 1200 and is available in 650, 800, 1000 and 1200 mm diameters. Maximum operating pressure 250 kPa, Test Pressure 375 kPa. Filtration velocity 30m³/h/m². Sand bed depth 1.2m. 0.3mm slotted laterals or nozzle plate collector. 200mm side manhole. 200mm diameter bolt down lid.

Options:

Vinylester resin construction, multiport valve. Sight Glass & Nozzle Collector Plate. See below.

Ordering:

Check stock & leadtime, refer to option codes and prices.

Warranty Guide:

2 year full warranty on filter tank and 1 year full warranty on internal components, gauges, valves. Refer to instructions for full warranty details

Tanks – Lateral Collector Arms – Max working pressure: 250kPa (2.5 bar)

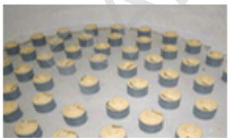


Delta 12 13,300 LPH - 0.3mm slotted laterals
Delta 12 20,000 LPH - 0.3mm slotted laterals
Delta 12 23,000 LPH - 0.3mm slotted laterals
Delta 12 34,000 LPH - 0.3mm slotted laterals

Product Code	Diameter	Connections
--------------	----------	-------------

36680-001	650mm	40mm
36681-001	800mm	50mm
36682-001	1000mm	65mm
36683-001	1200mm	80mm

Tanks – Nozzle Collector Plate – Max working pressure: 250kPa (2.5 bar)



Delta 12 13,300 LPH - nozzle collector plate
Delta 12 20,000 LPH -nozzle collector plate
Delta 12 23,000 LPH - nozzle collector plate
Delta 12 34,000 LPH -nozzle collector plate

Product Code	Diameter	Connections
--------------	----------	-------------

36688-101	650mm	40mm
36689-101	800mm	50mm
36690-101	1000mm	65mm
36691-101	1200mm	80mm

Options

Product Code

FX90 Vinylester Construction resistant to ozone concentrations less than 0.4 ppm

Refer to
Commercial Filter
Options Code

50mm Multiport Valve

17888

65mm Multiport valve - side mount 1000mm
Order 3 x 65mm Unions

24837
02359

80mm Multiport Valve with connections

18515

5 Valve battery - 80 mm unassembled

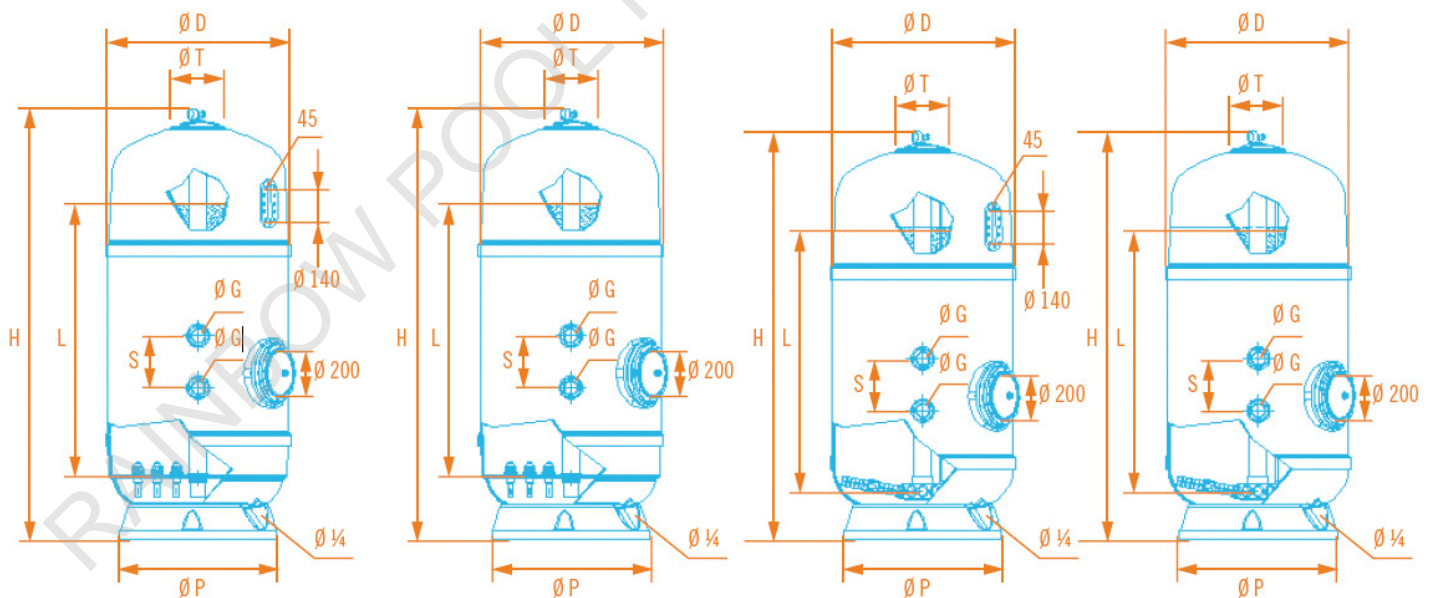
00776-1

Valve support clamps and anchors (pair) - 80mm

28694

Valve support vertical : height 2.30m x 2

28691



		DELTA 1200							
		Collector arms				Nozzle plate			
		36680	36681	36682	36683	36688	36689	36690	36691
D (mm)		650	800	1.000	1.200	650	800	1.000	1.200
Ø P(mm)		585	700	890	1145	585	700	890	1145
H (mm)		1825	1830	1960	1980	1925	1924	2075	2136
L (mm)		1200	1200	1200	1200	1200	1200	1200	1200
S (mm)		125	230	270	300	125	230	270	300
Ø T		200	200	400	400	200	200	400	400
Ø G		1½"	2"	2½"	3"	1½"	2"	2½"	3"
Flow rate m³/h at 30 m³/h/m²		9	15	23	34	9	15	23	34
Flow rate m³/h at 40 m³/h/m²		12	20	30	45	12	20	30	45
MULTILAYER	Anthracite 0.8 – 1.6 mm (l)	148	250	387	564	148	250	387	564
	Sand 0.4 – 0.8 mm (Kg)	160	271	419	611	160	271	419	611
	Gravel 1 – 2 mm (Kg)	46	78	120	175	46	78	120	175
	Gravel 3 – 5 mm (Kg)	86	156	300	350	46	78	120	175
SINGLE LAYER	Sand 0.4 - 0.8 mm (kg)	451	767	1325	1763	451	767	1325	1763
	Gravel 1 - 2 mm (kg)	86	156	300	350	46	78	120	175

RAINBOW POOL PRODUCTS LTD