



# HAYWARD®

ISO240TC Rev Oz

# Swim Pro®

OWNER'S GUIDE | GUIDE DE L'UTILISATEUR | GUÍA DEL USUARIO

HAYWARD SAND FILTERS | FILTRES A SABLE HAYWARD | FILTROS DE ARENA



## Rainbow Pool Products

PO Box 2388, Mansfield Qld 4122

Telephone STD 61-7-3849 5385

Facsimile STD 61-7-3849 5384

Email: [info@rainbowpoolproducts.com.au](mailto:info@rainbowpoolproducts.com.au)

Web: [www.rainbowpoolproducts.com.au](http://www.rainbowpoolproducts.com.au)



Basic safety precautions should always be followed, including the following: Failure to follow instructions can cause severe injury and/or death.

**⚠** This is the safety-alert symbol. When you see this symbol on your equipment or in this manual, look for one of the following signal words and be alert to the potential for personal injury.

**⚠ WARNING** warns about hazards that **could** cause serious personal injury, death or major property damage and if ignored presents a potential hazard.

**⚠ CAUTION** warns about hazards that **will** or **can** cause minor or moderate personal injury and/or property damage and if ignored presents a potential hazard. It can also make consumers aware of actions that are unpredictable and unsafe.

**Use only High Rate Sand No. 20 Silica Sand (.45mm - .55mm)**

HAYWARD POOL EUROPE - Parc Industriel de la Plaine de l'ain - Allée des Chênes - 01150 Saint Vulbas - France

HAYWARD CANADA 2880 Plymouth Drive, Oakville Ontario, Canada L6H 5R4

HAYWARD AUSTRALIA - PO Box 4384, Dandenong South, VIC, 3175, AU

HAYWARD/IMG INTERNATIONAL Marketing Group, 2875 Pomona Blvd. Pomona, CA 91768, USA



**WARNING - Read and follow all instructions in this owner's manual and on the equipment.**  
Failure to follow instructions can cause severe injury and/or death.

**WARNING – Suction Entrapment Hazard.**



Suction in suction outlets and/or suction outlet covers which are, damaged, broken, cracked, missing, or unsecured can cause severe injury and/or death due to the following entrapment hazards:



**Hair Entrapment-** Hair can become entangled in suction outlet cover.



**Limb Entrapment-** A limb inserted into an opening of a suction outlet sump or suction outlet cover that is damaged, broken, cracked, missing, or not securely attached can result in a mechanical bind or swelling of the limb.



**Body Suction Entrapment-** A negative pressure applied to a large portion of the body or limbs can result in an entrapment.

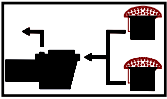
**Evisceration/ Disembowelment -** A negative pressure applied directly to the intestines through an unprotected suction outlet sump or suction outlet cover which is, damaged, broken, cracked, missing, or unsecured can result in evisceration/ disembowelment.

**Mechanical Entrapment-** There is potential for jewelry, swimsuit, hair decorations, finger, toe or knuckle to be caught in an opening of a suction outlet cover resulting in mechanical entrapment.



**WARNING - To Reduce the risk of Entrapment Hazards:**

- o When outlets are small enough to be blocked by a person, a minimum of two functioning suction outlets per pump must be installed. Suction outlets in the same plane (i.e. floor or wall), must be installed a minimum of three feet (3') [1 meter] apart, as measured from near point to near point.
- o Dual suction fittings shall be placed in such locations and distances to avoid “dual blockage” by a user.
- o Dual suction fittings shall not be located on seating areas or on the backrest for such seating areas.
- o The maximum system flow rate shall not exceed the flow rating of as listed on Table 1.
- o Never use Pool or Spa if any suction outlet component is damaged, broken, cracked, missing, or not securely attached.
- o Replace damaged, broken, cracked, missing, or not securely attached suction outlet components immediately.
- o In addition two or more suction outlets per pump installed in accordance with latest ASME, APSP Standards and CPSC guidelines, follow all National, State, and Local codes applicable.
- o Installation of a vacuum release or vent system, which relieves entrapping suction, is recommended.



**WARNING – Failure to remove pressure test plugs and/or plugs used in winterization of the pool/spa from the suction outlets can result in an increase potential for suction entrapment as described above.**



**WARNING – Failure to keep suction outlet components clear of debris, such as leaves, dirt, hair, paper and other material can result in an increase potential for suction entrapment as described above.**



**WARNING – Suction outlet components have a finite life, the cover/grate should be inspected frequently and replaced at least every ten years or if found to be damaged, broken, cracked, missing, or not securely attached.**



**CAUTION – Components such as the filtration system, pumps and heater must be positioned so as to prevent their being used as means of access to the pool by young children.**



**WARNING – Never operate or test the circulation system at more than 50 PSI.**



**WARNING – Never change the filter control valve position while the pump is running.**



**WARNING – To reduce risk of injury, do not permit children to use or climb on this product. Closely supervise children at all times. Components such as the filtration system, pumps, and heaters must be positioned to prevent children from using them as a means of access to the pool.**



**WARNING – Hazardous Pressure.** Pool and spa water circulation systems operate under hazardous pressure during start up, normal operation, and after pump shut off. Stand clear of circulation system equipment during pump start up. Failure to follow safety and operation instructions could result in violent separation of the pump housing and cover, and/or filter housing and clamp due to pressure in the system, which could cause property damage, severe personal injury, or death. Before servicing pool and spa water circulation system, all system and pump controls must be in off position and filter manual air relief valve must be in open position. Before starting system pump, all system valves must be set in a position to allow system water to return back to the pool. Do not change filter control valve position while system pump is running. Before starting system pump, fully open filter manual air relief valve. Do not close filter manual air relief valve until a steady stream of water (not air or air and water) is discharged.



**WARNING – Separation Hazard.** Failure to follow safety and operation instructions could result in violent separation of pump and/or filter components. Strainer cover must be properly secured to pump housing with strainer cover lock ring. Before servicing pool and spa circulation system, filters manual air relief valve must be in open position. Do not operate pool and spa circulation system if a system component is not assembled properly, damaged, or missing. Do not operate pool and spa circulation system unless filter manual air relief valve body is in locked position in filter upper body.

**USE ONLY HAYWARD GENUINE REPLACEMENT PARTS**



**⚠ WARNING – Risk of Electric Shock.** All electrical wiring **MUST** be in conformance with applicable local codes, regulations, and the National Electric Code (NEC). Hazardous voltage can shock, burn, and cause death or serious property damage. To reduce the risk of electric shock, do **NOT** use an extension cord to connect unit to electric supply. Provide a properly located electrical receptacle. Before working on any electrical equipment, turn off power supply to the equipment.

**⚠ WARNING** – To reduce the risk of electric shock replace damaged wiring immediately. Locate conduit to prevent abuse from lawn mowers, hedge trimmers and other equipment.

**⚠ WARNING** – Electrical ground all electrical equipment before connecting to electrical power supply. Failure to ground all electrical equipment can cause serious or fatal electrical shock hazard.

**⚠ WARNING** – Do **NOT** ground to a gas supply line.

**⚠ WARNING** – To avoid dangerous or fatal electrical shock, turn **OFF** power to all electrical equipment before working on electrical connections.

**⚠ WARNING** – Failure to bond all electrical equipment to pool structure will increase risk for electrocution and could result in injury or death. To reduce the risk of electric shock, see installation instructions and consult a professional electrician on how to bond all electrical equipment. Also, contact a licensed electrician for information on local electrical codes for bonding requirements.

**Notes to electrician:** Use a solid copper conductor, size 8 or larger. Run a continuous wire from external bonding lug to reinforcing rod or mesh. Connect a No. 8 AWG (8.4 mm<sup>2</sup>) [No. 6 AWG (13.3 mm<sup>2</sup>) for Canada] solid copper bonding wire to the pressure wire connector provided on the electrical equipment and to all metal parts of swimming pool, spa, or hot tub, and metal piping (except gas piping), and conduit within 5 ft. (1.5 m) of inside walls of swimming pool, spa, or hot tub.

**IMPORTANT** - Reference NEC codes for all wiring standards including, but not limited to, grounding, bonding and other general wiring procedures.

**⚠ WARNING** – Risk of Electric Shock. Connect only to a branch circuit protected by a ground-fault circuit-interrupter (GFCI). Contact a qualified electrician if you cannot verify that the circuit is protected by a GFCI.

**⚠ WARNING** – Risk of Electric Shock. The electrical equipment must be connected only to a supply circuit that is protected by a ground-fault circuit-interrupter (GFCI). Such a GFCI should be provided by the installer and should be tested on a routine basis. To test the GFCI, push the test button. The GFCI should interrupt power. Push reset button. Power should be restored. If the GFCI fails to operate in this manner, the GFCI is defective. If the GFCI interrupts power to the electrical equipment without the test button being pushed, a ground current is flowing, indicating the possibility of an electrical shock. Do not use this electrical equipment. Disconnect the electrical equipment and have the problem corrected by a qualified service representative before using.

**⚠ CAUTION** – This pump is intended for use with permanently-installed pools and may be used with hot tubs and spas if so marked. Do not use with storable pools. A permanently-installed pool is constructed in or on the ground or in a building such that it cannot be readily disassembled for storage. A storable pool is constructed so that it is capable of being readily disassembled for storage and reassembled to its original integrity.

### SAVE THESE INSTRUCTIONS

#### **HAYWARD® Pool Products Limited Warranty**

To original purchasers of this equipment, Hayward Pool Products, Inc. warrants its filtersto be free from defects in materials and workmanship for a period of ONE (1) year from the date of purchase, when used in single family residential applications.

The limited warranty excludes damage from freezing, negligence, improper installation, improper use or care or any Acts of God. Parts that fail or become defective during the warranty period shall be repaired or replaced, at our option, within 90 days of the receipt of defective product, barring unforeseen delays, without charge.

Proof of purchase is required for warranty service. In the event proof of purchase is not available, the manufacturing date of the product will be the sole determination of the purchase date.

To obtain warranty service, please contact the place of purchase or the nearest Hayward Authorised Service Center. For assistance on your nearest Hayward Authorised Service Center please visit us at [www.hayward-pool.com.au](http://www.hayward-pool.com.au).

Hayward shall not be responsible for cartage, removal, repair or installation labor or any other such costs incurred in obtaining warranty replacements or repair.

For International Warranty-Contact your product supplier, or write to [sales@hayward-pool.com.au](mailto:sales@hayward-pool.com.au).

The Hayward Pool products warranty does not apply to components manufactured by others. For such products, the warranty established by the respective manufacturer will apply.

The express limited warranty above constitutes the entire warranty of Hayward Pool Products with respect to its' pool products and is in lieu of all other warranties expressed or implied, including warranties of merchantability or fitness for a particular purpose. In no event shall Hayward Pool products be responsible for any consequential, special or incidental damages of any nature.

Some states do not allow a limitation on how long an implied warranty lasts, or the exclusion of incidental or consequential damages, so the above limitation may not apply to you. This warranty gives you specific legal rights, and you may also have other rights, which vary from state to state.

**\*Supersedes all previous publications.**

**Hayward Pool Products (Australia) Pty Ltd**  
PO Box 4384, Dandenong South, VIC, 3175

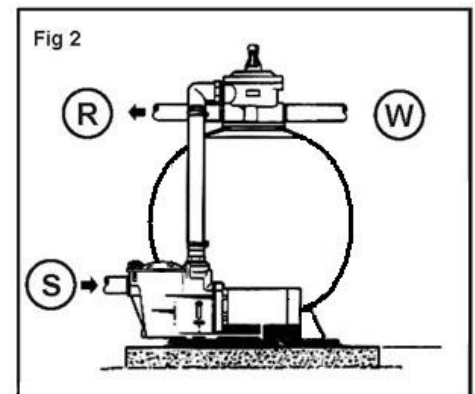
**USE ONLY HAYWARD GENUINE REPLACEMENT PARTS**

## OPERATION

Your filtration system uses filtration sand designed to trap impurities from the pool water. The sand in the tank acts as the filtration media. The pump draws in unfiltered pool water, which contains impurities in suspension and feeds it through the multi-port control valve to the top of the sand in the filter. When the water flows through the sand, the impurities are trapped and the filtered water then returns to the pool.

### INSTALLATION (see figure 1 spare parts list) .

1. **Locating the filter:** Find a clean, level spot. The top of the filter must be no more than 2 m above the water level. Place the filter so that the piping, the valve (1), and the drain plug (7) are easy to reach. This will make servicing and winterizing easier.
2. **Assembling the pump:** Assemble the pump and its mount near the filter as indicated by the manufacturer's instructions.
3. **Filling the filter.** The sand is put in through the opening in the top of the filter.
  - a. Place the underdrain assembly (6) on the bottom of the tank and cover the opening in the top of the tube with the sand shield (5) provided for this purpose. This prevents sand from entering the tube. Make sure that the drain plug (7) is in place.
  - b. Half-fill the filter with water, then pour in the required quantity of sand (see Table II-on last page). Check that the underdrain tube (6) remains straight. The surface of the sand should be leveled and reach the middle of the filter.
  - c. Remove the sand shield (5).
4. **Assembling the valve:** Place the valve (1), with its gasket (3), on the top of the filter.
  - a. Make sure that the "PUMP" outlet of the valve is toward the pump. Then attach with the clamp (4).
  - b. Remove the black plastic screw on the side of the valve and replace it with the pressure gauge (2). Screw in by hand without forcing.
  - c. Connect the "PUMP" outlet (P) of the valve to the top outlet of the pump as indicated by the manufacturer's instructions
5. **Connecting the valve:** Then connect the pipes from the pool (see fig. 2) and from the skimmers (S) to the front port of the pump, on the strainer side. Connect the discharge pipes to the valve port marked "RETURN" (R), and the drain connection to the valve port marked "WASTE" (W)
6. **Make the electrical connections:** Follow the pump instructions from the manufacturer.
7. **To avoid leaks:** Make sure that the drain plug (7) is in place and that all connections are secure.



### START UP:

**IMPORTANT: ALWAYS STOP THE PUMP BEFORE CHANGING POSITIONS OF THE MULTI-PORT VALVE.**

1. Check that all connections are secure and that the filter contains the correct amount of sand.
2. Set the valve to "BACKWASH". Always lower the handle before turning.
3. Start the pump as indicated by the manufacturer's instructions. Check that water flows normally in the circuit.

**▲ WARNING: All suction and discharge valves must be open when the pump is started.**

- Once the water flows smoothly, let the pump run for at least another 2 minutes. This backwash is recommended to eliminate impurities from the filtration sand.
4. Stop the pump and set the valve to "RINSE". Restart the pump and let it run until the water becomes clear in the valve sight glass (about a minute).
  5. Stop the pump and set the valve to "FILTER". Restart the pump and filtering starts. Adjust the inlet and outlet valves for the desired water flow.
  6. Note the pressure reading at startup and the position of the needle on the pressure gauge. As the filter operates, impurities are retained and the pressure increases in the tank. When it exceeds the initial pressure (clean filter) by 0.5 bars, the filter needs be backwashed.

**Note 1:** During initial clean-up of the pool water, it may be necessary to backwash the filter frequently due to the possibility the new water contained a large quantity of impurities.

**Note 2:** Clean the pump strainer basket and skimmers regularly to ensure trouble free operation of your filtration system.

**USE ONLY HAYWARD GENUINE REPLACEMENT PARTS**



## FUNCTIONS OF VALVE AND FILTER

### FILTER

Set the valve to “Filter” for normal filtration (6 to 8 hours a day).

### BACKWASH

When filter pressure gauge rises 8-10 PSI (0.5 bars) above startup (clean pressure)  
Run the pump until the water in the sight glass is clear. Stop the pump about 2 minutes later and set the valve to “Rinse”.

### RINSE

With the valve set to “Rinse”, run the pump for about one minute. This removes the dirty backwash water from the valve to a drain, not the pool. Stop the pump, set back to “Filter”, and restart.

### WASTE

The water is discharged directly to the drain without going through the filter: to lower the pool water level and when using the vacuum it ports dirty water to the drain.

### RECIRCULATE

The water bypasses the filter, for rapid dispersion of chemicals or for massive chlorination.

### CLOSED

Cuts off circulation between the filter and the pump.

**NEVER USE THE CLOSED POSITION WITH THE PUMP RUNNING.**

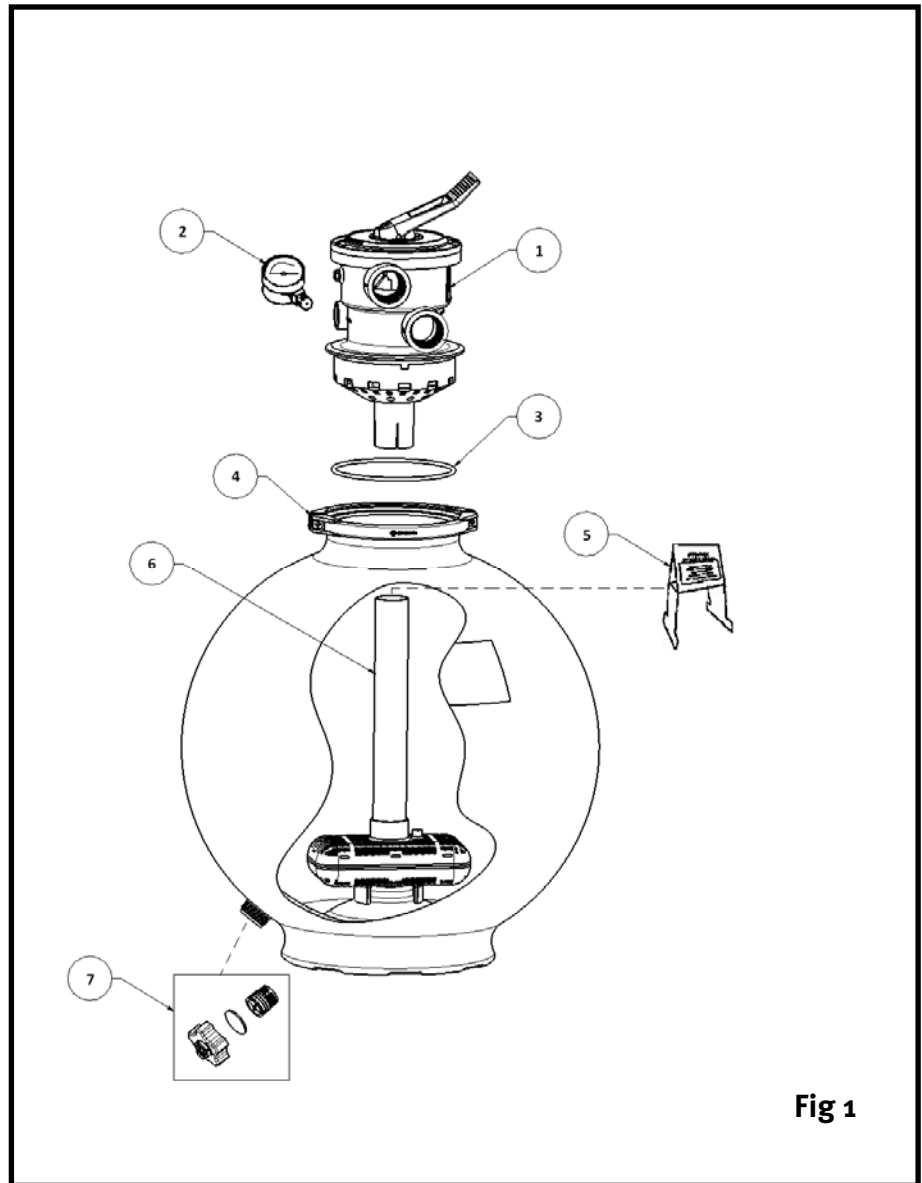
### WINTERIZING

1. Completely drain tank by unscrewing drain cap at base of filter tank. Leave cap off during winter.
2. Rotate and leave the valve handle in the “WINTER” position.
3. Drain and winterize the pump according to pump instructions.

LIST OF POSSIBLE PROBLEMS		
THE FLOW FALLS OFF AND/OR THE PRESSURE GAUGE READING EXCEEDS THE INITIAL PRESSURE BY 10 PSI (0,7 bars or kg/cm <sup>2</sup> ).	IT BECOMES NECESSARY TO CLEAN MORE AND MORE OFTEN	THE POOL WATER DOES NOT BECOME CLEAR
<ol style="list-style-type: none"> <li>1. Check and empty the skimmer and pump strainer baskets.</li> <li>2. Check that there is nothing pinching or plugging the water intake and return lines.</li> <li>3. Check that there is no leak in the water intake line (shown up by air bubbles in the water returned to the pool).</li> <li>4. Backwash the filter.</li> </ol>	<ol style="list-style-type: none"> <li>1. Check the pool for algae. If necessary add disinfectant.</li> <li>2. Check that the disinfectant level and pH are correct (adjust if necessary).</li> <li>3. Check that the surface of the sand has not solidified or become clogged (if so, remove 2 or 3 cm of sand).</li> </ol>	<ol style="list-style-type: none"> <li>1. Check the disinfectant level, pH, and total alkalinity and adjust if necessary.</li> <li>2. Make sure that the filtration flow is correct.</li> <li>3. Run the filter longer.</li> <li>4. Make sure that the valve is set to ” Filter”.</li> <li>5. Make sure that your installation is properly connected.</li> </ol>

**USE ONLY HAYWARD GENUINE REPLACEMENT PARTS**

Replacement Parts			
Item	Part Number	Description	QTY
1	SP0714T	MultiPort Valve	1
2	ECX271261	Pressure Gauge	1
3	GMX600F	Valve O-ring	1
4	GMX600NM	Clamp Assembly	1
5	SCN202S	Sand Sheild	1
6a	SWX210DA	Underdrain Assy VL210T	1
6b	SWX240DA	Underdrain Assy VL240T VL270T	1
7	SX180LA	Drain Cap & Gasket	1



MAXIMUM RECOMMENDED SYSTEM FLOW RATE BY PIPE SIZE					
Pipe Size	Flow rate	Pipe Size	Flow rate	Pipe Size	Flow rate
[mm]	GPM [Liter/Min]	[mm]	GPM [Liter/Min]	[mm]	GPM [Liter/Min]
1"	20	1 1/2"	45	2 1/2"	110
[32]	[75]	[50]	[170]	[75]	[415]

USE ONLY HAYWARD GENUINE REPLACEMENT PARTS



### PRODUCT REGISTRATION

(Retain For Your Records)

DATE OF INSTALLATION \_\_\_\_\_

PURCHASED FROM \_\_\_\_\_

## SAVE THESE INSTRUCTIONS

DETACH HERE: Fill out bottom portion completely and mail within 10 days of purchase/installation or register online.



### SwimPro™ Series

### Warranty Card Registration

Register online at [www.hayward-pool.com.au](http://www.hayward-pool.com.au)

Please Print Clearly:

First Name \_\_\_\_\_ Last Name: \_\_\_\_\_

Street Address \_\_\_\_\_

City \_\_\_\_\_ State \_\_\_\_\_ Postal \_\_\_\_\_

Phone Number: \_\_\_\_\_ Purchase Date: \_\_\_\_\_

email Address \_\_\_\_\_

Serial Number 

--	--	--	--	--	--	--	--	--	--	--	--	--	--	--	--	--	--	--	--

(10-17 digit number)

Model Number: \_\_\_\_\_

Pool Capacity \_\_\_\_\_ (Litres)

Please include me on all email communications regarding Hayward Equipment or promotions.  
Mail to: Hayward Pool Products (Australia) Pty Ltd, PO Box 4384, Dandenong South, VIC, 3175 Attn: Warranty Department  
or REGISTER YOUR WARRANTY ON-LINE AT [WWW.HAYWARD-POOL.COM.AU](http://WWW.HAYWARD-POOL.COM.AU)

Years Pool has been in service					
1 year or less	2-3	4-5	6-10	11-15	>16
Purchased from _____					
Builder	Retailer	Pool Service	Internet/Catalog		
Company Name _____					
Address _____					
City _____		State _____		Post _____	
Phone _____					
Type of Pool:					
Concrete/Gunite	Vinyl	Fiberglass	Other		
Installation for:					
In ground	Above Ground	Spa			

USE ONLY HAYWARD GENUINE REPLACEMENT PARTS



**▲ LIRE, COMPRENDRE ET SUIVRE TOUTES LES CONSIGNES DE SÉCURITÉ ET DE FONCTIONNEMENT. LE NON-RESPECT DES CONSIGNES DE SÉCURITÉ ET DE FONCTIONNEMENT PEUT ENTRAÎNER DES BLESSURES GRAVES, VOIRE LE DÉCÈS.**

**▲ AVERTISSEMENT – DANGER D'ASPIRATION DANGEREUSE.**



L'aspiration au niveau des prises pour balai et/ou des bondes de fond endommagées, cassées, fêlées, manquantes ou mal fixées peut avoir des conséquences graves, voire mortelles, en raison de :

**Cheveux attirés** - Les cheveux peuvent se trouver attirés dans une bouche d'aspiration.

**Membre attirés** - Un membre inséré dans une ouverture du collecteur ou une bouche d'aspiration qui est endommagée, cassée, fêlée, manquante ou mal sécurisée peut entraîner un blocage mécanique ou l'enflure du membre.



**Immobilisation par une partie du corps attirée par aspiration** - Une pression négative sur une grande surface du corps ou d'un membre peut avoir un effet de sucement puissant et mettre la personne dans l'impossibilité de se dégager.



**Eviscération par aspiration** - Une pression négative directement sur les intestins par une entrée de collecteur non protégée ou une bouche d'aspiration endommagée, cassée, fêlée, manquante ou mal sécurisée peut entraîner l'éviscération par aspiration.



**Piégeage mécanique** - Il existe un risque que bijoux, maillots de bain, ornements pour cheveux, doigts, orteils ou articulations de la main ou du pied se trouvent attirés dans une bouche d'aspiration et se trouve piégés mécaniquement.



**▲ AVERTISSEMENT DANGER DE SÉPARATION VIOLENTE DES COMPOSANTS**

Les systèmes de circulation d'eau des piscines et des spas fonctionnent à une pression dangereuse au démarrage, pendant le fonctionnement normal et potentiellement à l'arrêt du fonctionnement de la pompe. La pression dans le système peut entraîner la violente séparation de la partie supérieure du filtre si les consignes de sécurité et de fonctionnement ne sont pas observées. Ceci peut entraîner des blessures graves, voire mortelles.



Vous venez d'acquérir un filtre à sable, son socle et sa vanne (cf figure 1).

## FONCTIONNEMENT

Votre filtre utilise un sable spécial destiné à retenir les saletés contenues dans l'eau de votre piscine. Le sable est versé dans la cuve et fonctionne comme un système de filtration. L'eau non filtrée de la piscine, qui contient des saletés en suspension, est aspirée par votre pompe et envoyée vers la vanne de contrôle multi-voies. Lors du passage de l'eau à travers le sable, les impuretés sont piégées dans le lit de sable et l'eau ressort filtrée vers votre piscine.

## INSTALLATION

1. Emplacement du filtre Prévoir un emplacement propre, de niveau. Le haut du filtre doit être à une hauteur maximale de 1,5 m par rapport au niveau de l'eau. Placer le filtre de façon à ce que les tuyauteries, la vanne (1) et le bouchon de vidange (7) soient facilement accessibles. L'entretien et l'hivernage seront alors facilités.
2. Assemblage de la pompe Assembler la pompe et son support au filtre selon les instructions du fabricant.
3. Remplissage du filtre. Le sable s'introduit par l'ouverture supérieure du filtre.
  - a. Positionner le tube central (6) en fond de cuve, couvrir l'orifice haut du tube avec l'entonnoir (5) prévu à cet effet pour éviter toute introduction de sable pendant le remplissage. Vérifier que le bouchon de vidange (7) est en place.
  - b. Remplir le filtre à moitié d'eau, puis verser la quantité de sable requise (cf. tableau sur l'étiquette). Vérifier que le tube central (6) reste droit. La surface du sable doit être nivelée et atteindre le milieu du filtre.
  - c. Enlever l'entonnoir (5).
4. Assemblage de la vane. Positionner la vanne (1), sans oublier son joint d'étanchéité (3), sur le dessus du filtre.
  - a. Vérifier que la sortie "PUMP" de la vanne est orientée vers la pompe. Puis, fixer l'ensemble à l'aide du collier (4).
  - b. Enlever la vis en plastique noir située sur le côté de la vanne et la remplacer par le manomètre (2). Visser à la main sans forcer.
  - c. Connecter la sortie "PUMP" (P) de la vanne avec la sortie supérieure de la pompe, en suivant les instructions du fabricant.
5. Connexion de la vane. Il ne vous reste plus qu'à connecter les tuyaux venant de la piscine (cf. figure 2), celui de provenance des skimmers (S) sur l'orifice bas de la pompe du côté du pré-filtre et celui des refoulements sur l'orifice de la vanne marqué "RETURN" (R), ainsi que la connexion à l'égout sur l'orifice de la vanne marqué "WASTE" (W).
6. Procéder au branchement électrique de la pompe suivant les instructions du fabricant.
7. Afin d'éviter les fuites, vérifier que le bouchon de vidange (7) est en place et que toutes les connexions sont bien fixées.

**Note 1 :** Ne pas forcer pour visser les embouts de connexion dans les raccords de la vanne.

**Note 2 :** Téflon ner les filetages mâles.

**USE ONLY HAYWARD GENUINE REPLACEMENT PARTS**



## **MISE EN ROUTE IMPORTANT TOUJOURS ARRÊTER LA POMPE AVANT DE MANOEUVRER LA VANNE MULTI-VOIES.**

1. Vérifier que tous les raccords sont bien serrés, que la quantité exacte de sable est dans le filtre.
2. Mettre la vanne en position "BACKWASH". Toujours baisser la poignée avant de tourner.
3. Démarrer la pompe en suivant les instructions du fabricant. S'assurer que l'eau circule normalement dans le circuit.

**ATTENTION: Toutes les vannes d'aspiration et de refoulement doivent être ouvertes au démarrage de la pompe. Dans le cas contraire, vous vous exposez à des dommages corporels, des blessures graves ou la mort.**

Une fois que le débit d'eau est régulier, laisser fonctionner la pompe pendant au moins 2 minutes. Ce contre-lavage est recommandé pour évacuer. Res impuretés ou les fines particules contenues dans le sable de filtration.

4. Arrêter la pompe et placer la vanne en position de rinçage "RINSE". Redémarrer la pompe et laisser fonctionner jusqu'à ce que l'eau devienne claire dans le témoin de circulation de la vanne (environ 1 minute).
5. Arrêter la pompe et placer la vanne en position "FILTER". Redémarrer la pompe, la filtration commence. Ajuster les vannes d'entrée et de sortie pour obtenir le débit d'eau désiré.
6. Bien noter la pression indiquée à ce moment et la position de l'aiguille sur le manomètre, Au fur et à mesure que le filtre fonctionne, les impuretés sont retenues et la pression augmente dans Ra cuve. Dès que celle-ci dépasse de 10 PSI (0.7 bars ou kg/cm<sup>2</sup>), la pression initiale (filtre propre), il faudra nettoyer le filtre en réalisant un contre-lavage.

**Note 1:** Pendant le premier nettoyage de l'eau de votre piscine, il sera peut-être nécessaire de contre-laver souvent le filtre. En effet les impuretés y sont alors particulièrement importantes.

**Note 2:** Nettoyer régulièrement les pré-filtres de la pompe et des skimmers pour permettre un fonctionnement sans incident de votre système de filtration.

**Note 3:** Les installations comportant un réchauffeur ou un système de nettoyage à buses ou tentacules sortant des parois sont très sensibles aux coups de béliers car elles fonctionnent à des pressions élevées. Il convient à l'installateur de prendre toutes les mesures nécessaires afin d'éviter des coups de bélier sur l'installation.

## **FONCTIONS DE LA VANNE ET DU FILTRE**

### **FILTRE (FILTER)**

Mettre la vanne en position "FILTER" pour effectuer une filtration normale (6 à 8 heures journallement).

### **CONTRE-LAVAGE (BACKWASH)**

Pour nettoyer le filtre quand la pression dépasse de 10 PSI (0.7 bars ou kg/cm<sup>2</sup>) la pression de démarrage. Arrêter la pompe. Placer la vanne en position "BACKWASH". Redémarrer la pompe jusqu'à ce que l'eau devienne claire dans le témoin de contrôle. Après environ 2 minutes, arrêter la pompe et mettre en position "RINSE" quand elle existe.

**RINÇAGE (RINSE)** - sur vannes 6 positions uniquement Vanne en position "RINSE", démarrer la pompe pendant une minute. Ceci permet à l'eau chargée d'impuretés, après le contre-lavage, de s'évacuer vers l'égout et non pas vers la piscine. Arrêter la pompe et mettre la vanne en position "FILTER", puis la remettre en route.

### **EGOUT(WASTE)**

L'eau est évacuée à l'égout sans passer par le filtre, pour baisser le niveau d'eau dans la piscine et évacuer directement l'eau fortement chargée d'impuretés lors du passage du balai aspirateur.

### **RECIRCULATION (RECIRCULATE)**

L'eau circule sans passer par le filtre pour une répartition rapide des produits chimiques ou lorsque l'on procède à une chloration choc.

**FERME (CLOSED)** - sur vannes 6 positions uniquement. Coupe la circulation entre le filtre et la pompe.  
**NE JAMAIS UTILISER CETTE FONCTION AVEC LA POMPE EN FONCTIONNEMENT.**

### HIVERNAGE

1. Vidanger complètement le filtre en dévissant le bouchon de vidange situé à la base de la cuve.  
Ne pas remettre le bouchon pendant l'hiver.
2. Positionner et laisser la poignée de la vanne entre deux positions ou sur la position "WINTER" si elle existe.
3. Vidanger et hiverner la pompe selon les instructions du fabricant.

### REPARATIONS ET MAINTENANCE

Consulter votre revendeur Hayward. Aucun retour n'est accepté à l'usine sans avoir reçu au préalable l'accord écrit d'Hayward Pool Europe.

#### LISTE DES PROBLÈMES POSSIBLES

LE DÉBIT DIMINUE ET/OU LA PRESSION AU MANOMETRE DEPASSE DE 10 PSI ( 0,7 bars ) LA PRESSION D'ORIGINE	LES CYCLES DE NETTOYAGE NECESSAIRES SONT DE PLUS EN PLUS RAPPROCHES	L'EAU DE LA PISCINE NE S'ECLAIRCIT PAS
<ol style="list-style-type: none"> <li>1. Contrôler et vider les paniers de skimmers et de préfiltre de pompe.</li> <li>2. Vérifier si rien ne comprime ou ne bouche les tuyaux d'arrivée et de retour d'eau.</li> <li>3. Vérifier s'il n'y a pas une fuite sur le tuyau d'arrivée d'eau (caractérisée par des bulles d'air retournant vers la piscine).</li> <li>4. Procéder à un contre-lavage du filtre.</li> </ol>	<ol style="list-style-type: none"> <li>1. Contrôler la présence d'algue dans la piscine et rajouter du désinfectant si nécessaire.</li> <li>2. Vérifier que le désinfectant et le Ph sont au niveau requis (ajuster si besoin).</li> <li>3. Contrôler si la surface du sable ne s'est pas solidifiée ou colmatée (enlever 2 à 3 cm de sable si c'est le cas)</li> </ol>	<ol style="list-style-type: none"> <li>1. Vérifier les niveaux de désinfectant, de Ph et d'alcalinité totale et ajuster si nécessaire.</li> <li>2. Assurez-vous que le débit de la filtration est correct.</li> <li>3. Faire fonctionner le filtre plus long-temps.</li> <li>4. Assurez-vous que la vanne est en position "Filter".</li> <li>5. Assurez-vous que votre installation est correctement connectée.</li> </ol>

### REPARATIONS ET MAINTENANCE

Consulter votre revendeur Hayward. Aucun retour n'est accepté à l'usine sans avoir reçu au préalable l'accord écrit de Hayward Pool Europe. Si le mauvais fonctionnement persiste ou tout autre défaut de fonctionnement, adressez-vous à votre revendeur-installateur. Nous vous signalons expressément que HAYWARD n'est pas responsable des dommages causés par ses appareils, dans la mesure où ceux-ci seraient causés par une réparation non conforme, dans la mesure où lors d'un échange de pièces, les pièces d'origine HAYWARD n'auraient pas été utilisées, dans la mesure où la réparation n'aurait pas été effectuée conformément aux directives HAYWARD ou si les informations de ce guide n'ont pas été suivies. Ceci est également valable pour tout ajout de pièces et d'accessoires autres que ceux préconisés par HAYWARD.

### CONDITIONS DE GARANTIE :

Tous les produits HAYWARD sont garantis contre tous vices de fabrication ou de matière pendant une période de une année à compter de la date d'achat. Toute demande de garantie devra être accompagnée d'une preuve d'achat justifiant sa date. Nous vous incitons donc à conserver votre facture. La garantie HAYWARD est limitée à la réparation ou au remplacement, au choix d'HAYWARD, des produits défectueux pour autant qu'ils aient subi un emploi normal, en accord avec les prescriptions mentionnées dans leur manuel d'utilisation, que le produit n'ait été modifié d'aucune sorte et utilisé uniquement avec des composants et des pièces HAYWARD. Les dommages dûs au gel et aux attaques d'agents chimiques ne sont pas garantis. Tous les autres frais (transport, main-d'œuvre...) sont exclus de la garantie. HAYWARD ne pourra être tenu pour responsable d'aucun dommage direct ou indirect provenant du fonctionnement incorrect d'un produit. Pour faire jouer une garantie et demander la réparation ou le remplacement d'un article, adressez vous à votre revendeur. Aucun retour de matériel à notre usine ne sera accepté sans notre accord écrit préalable. Les pièces d'usure ne sont pas couvertes par la garantie.

Acaba de adquirir un filtro de arena, con base y con válvula (vér fig. 1).

## FUNCIONAMIENTO

Su sistema de filtración utiliza una arena especial destinada a retener la suciedad del agua de la piscina. La arena se vierte en la cuba y funciona como un sistema de filtración. El agua no filtrada de la piscina, que contiene suciedad en suspensión, es aspirada por la bomba y enviada hacia la válvula de control múltiple. Cuando el agua pasa a través de la arena, las impurezas quedan atrapadas en el lecho de arena y el agua sale filtrada hacia su piscina.

## INSTALACIÓN

1. Situación del filtro Prever un sitio limpio, nivelado. El alto del filtro debe estar a una altura máxima de 1,5 m. con respecto al nivel del agua. Situar el filtro de manera que la tuberías, la válvula (1) y el tapón de vaciado (7) estén fácilmente accesibles. Ello facilitará el mantenimiento y el invernado.
2. Montaje de la bomba Montar la bomba y su soporte al filtro según las instrucciones del fabricante.
3. Llenado del filtro La arena se introduce por la abertura superior del filtro.
  - a. Colocar el tubo central (6) en el fondo del cuerpo del filtro, cubrir el orificio alto del tubo con el embudo (5) previsto a este efecto para evitar que se introduzca arena durante el llenado. Verificar que el tapón de vaciado (7) está en su sitio. Verificar que todas las crepinas (8) estén bien insertadas y abatidas hasta su posición horizontal.
  - b. Llenar el filtro a mitad de agua y verter la cantidad de arena requerida (vértase sobre la etiqueta). Verificar que el tubo central (6) esté recto. La superficie de la arena debe estar nivelada y alcanzar la mitad del filtro.
  - c. Quitar el embudo (5).
4. Montaje de la válvula Colocar la válvula (1), sin olvidar su junta (3), encima del filtro.
  - a. Verificar que la salida "PUMP" (BOMBA) de la válvula está orientada hacia la bomba. Después, fijar el conjunto con la ayuda de la abrazadera (4).
  - b. Quitar el tornillo de plástico negro situado sobre el lado de la válvula y sustituirlo por el manómetro (2). Roscar a mano sin forzar.
  - c. Conectar la salida "PUMP" (P) de la válvula con la salida superior de la bomba, siguiendo las instrucciones del fabricante.
5. Conexión de la válvula No le queda más que conectar las conexiones procedentes de la piscina (fig.2), la que proviene de los skimmers (S) sobre el orificio que hay debajo de la bomba del lado del prefiltro y el de retorno sobre el orificio de la válvula marcado con "RETURN" (RETORNO) (R), así como la conexión al desagüe sobre el orificio de la válvula marcado con "WASTE" (DESAGUE).
6. Proceder a la conexión eléctrica de la bomba, siguiendo las instrucciones del fabricante.
7. Con el fin de evitar fugas, verificar que el tapón de vaciado (7) está en su sitio y que

**Nota 1 :** No forzar para ajustar las conexiones y enlaces de la válvula.

**Nota 2 :** Usar teflón para las roscas machos.

## PUESTA EN MARCHA IMPORTANTE: PARAR SIEMPRE LA BOMBA ANTES DE MANIOBRAR LA VALVULA MULTI-VIAS.

1. Verificar que todos los enlaces están bien apretados y que el filtro contiene la cantidad exacta de sílex.
2. Girar la válvula en posición "CONTRA-LAVADO". Presionar siempre hacia abajo el mando de la válvula antes de girar.
3. Poner en marcha la bomba siguiendo las instrucciones del fabricante. Asegurarse que el agua circula normalmente en el circuito.

**ATENCIÓN: Todas las válvulas de aspiración e impulsión deben estar abiertas en la puesta en marcha de la bomba. En caso contrario, se expondría a daños materiales, heridas graves e incluso la muerte.**

Una vez que el caudal del agua es regular, dejar funcionar la bomba durante al menos 2 minutos. Este "CONTRA-LAVADO" se recomienda para evacuar las impurezas o las partículas más finas contenidas en la arena de filtración.

4. Sobre las válvulas de 4 posiciones, esperar 1 minuto. Sobre las válvulas de 6 posiciones, parar la bomba y poner la válvula en posición "ACLARADO". Volver a poner en marcha la bomba y dejarla funcionando hasta que el agua aparezca clara en el testigo de circulación de la válvula (aproximadamente 1 minuto).
5. Parar la bomba y poner la válvula en posición "FILTRO". Volver a poner en marcha la bomba. La filtración comienza. Ajustar las válvulas de entrada y salida para obtener el flujo de agua deseado.
6. Tomar nota de la presión que indica en ese momento y la posición de la aguja en el manómetro. A media que el filtro funciona, esas impurezas son retenidas y la presión aumenta en el cuerpo del filtro. En el momento en que la presión sobrepase de 10 PSI (0.7 bars o kg/cm<sup>2</sup>), a la presión inicial (filtro limpio), habrá que limpiar el filtro, realizando un contra lavado.

**Nota 1:** Durante la primera limpieza del agua de su piscina, será necesario, quizás, de contra-lavar a menudo el filtro. En efecto, las impurezas son entonces, especialmente importantes.

**Nota 2:** Limpiar regularmente los pre-filtros de la bomba y del skimmer para permitir un funcionamiento sin problemas en su sistema de filtración.

**Nota 3:** Las instalaciones que soportan sistemas de climatización mediante calentadores o limpia fondos de impulsión, son muy sensibles a los golpes de ariete ya que funcionan a presiones elevadas. Conviene que el instalador tome todas las medidas necesarias con el fin de evitar golpes de ariete en la instalación.

## **FUNCIONES DE LA VÁLVULA Y DEL FILTRO**

Este sistema puede ser equipado de una válvula de (6) posiciones (Fig. 3).

### **FILTRO (FILTER)**

Poner la válvula en posición "FILTER" para efectuar una filtración normal (de 6 a 8 horas diariamente).

### **CONTRALA VADO (BACK- WASH)**

Para limpiar el filtro. Cuando la presión sobrepase 10 PSI (0.7 bars o kg/cm<sup>2</sup>) sobre la presión inicial (filtro limpio). Parar la bomba. Poner la válvula en posición "BACK-WASH". Arrancar la bomba hasta que el agua esté clara en el testigo de control. Al cabo de dos minutos aproximadamente, parar la bomba y poner la válvula en la posición "RINSE", cuando existe.

**ENJUAGE (RINSE)** - Arrancar la bomba durante un minuto con la válvula en posición "RINSE".

Esto permite que el agua cargada de impurezas después del contra lavado se evacue hacia la alcantarilla y no hacia la piscina. Parar la bomba y poner la válvula en posición "FILTER"; a continuación, ponerla de nuevo en marcha.

### **ALCANTARILLA (WASTE)**

El agua se evacua a la alcantarilla sin pasar por el filtro: para reducir el nivel de agua de la piscina y evacuar directamente el agua muy cargada de impurezas durante el paso de la escobilla aspiradora.

### **RECIRCULACIÓN (RECIRCULATE)**

El agua circula sin pasar por el filtro para distribuir rápidamente los productos químicos o cuando se efectúa una cloración de choque.

**CERRADO (CLOSED)** - Corta la circulación entre el filtro y la bomba.

**NO UTILIZAR NUNCA ESTA FUNCION CON LA BOMBA EN MARCHA.**

### INVERNADA

1. Vaciar completamente el filtro desenroscando el tapón de vaciado situado en el fondo del filtro. Dejar el tapón quitado durante el invierno.
2. Colocar y dejar la manecilla de la válvula entre dos posiciones o sobre la posición "WINTER" cuando existe.
3. Vaciar la bomba y prepararla para el invierno según las instrucciones del fabricante.

### REPARACIONES Y MANTENIMIENTO

Consultar al distribuidor local de Hayward Pool Europe ó a la empresa de servicio. No se podrá enviar ningún material a nuestros almacenes sin previo acuerdo por escrito.

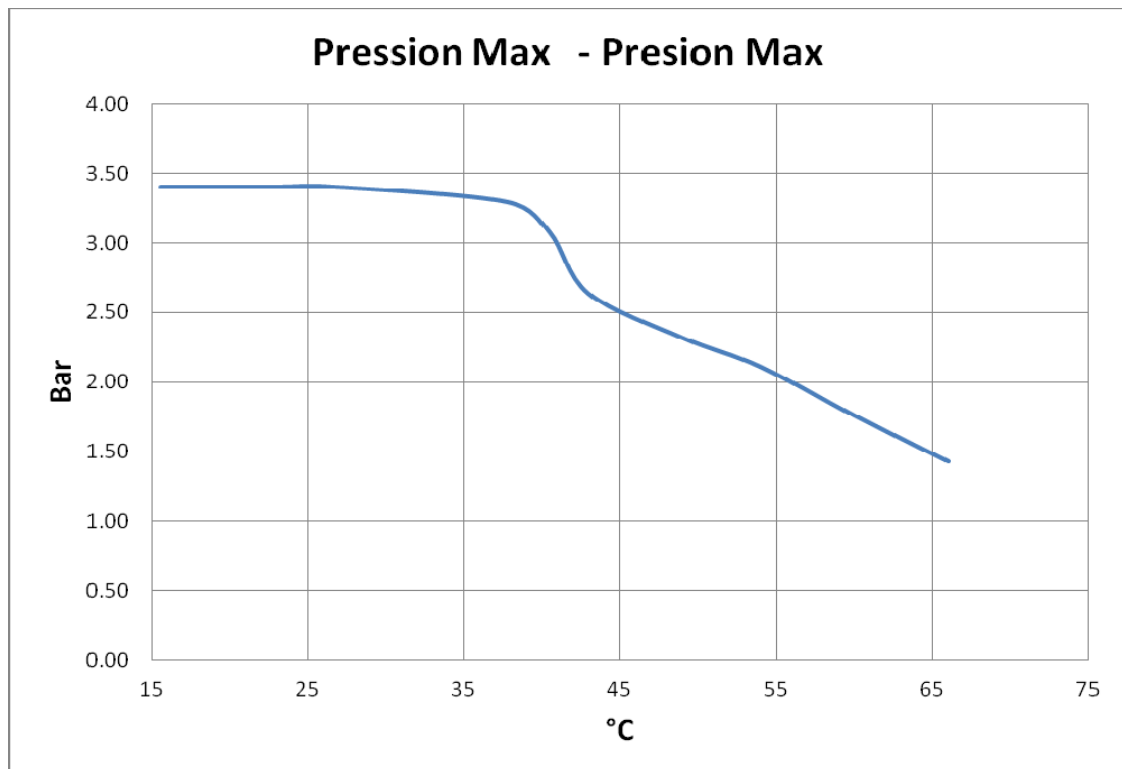
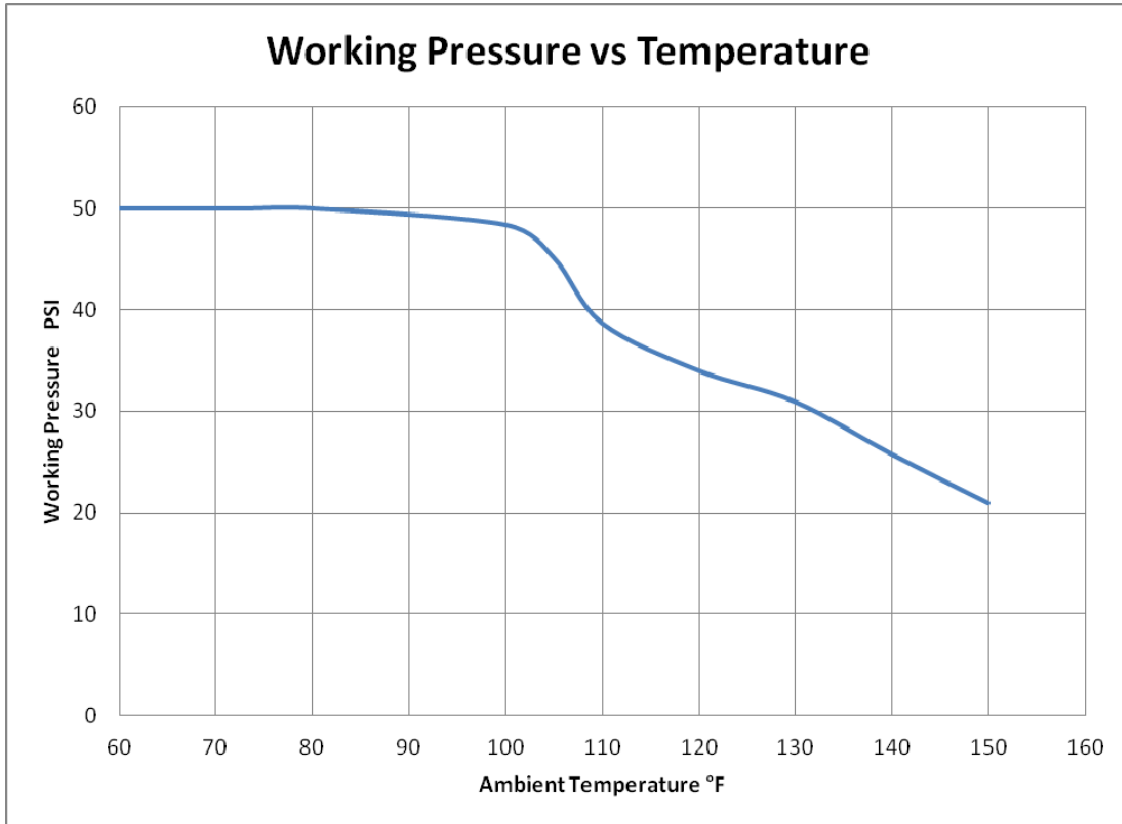
LISTA DE POSIBLES PROBLEMAS		
EL CAUDAL DISMINUYE Y/O LA PRESIÓN EN EL MANÓMETRO SOBREPASA EN 10 PSI (0.7 bars o kg/cm <sup>2</sup> ) LA PRESIÓN DE ORIGEN	EL INTERVALO ENTRE LOS CICLOS DE LIMPIEZA NECESARIOS ES CADA VEZ MENOR	EL AGUA DE LA PISCINA NO SE ACLARA
<ol style="list-style-type: none"> <li>1. Controlar y vaciar los cestos del skimmer y del prefiltro de bomba.</li> <li>2. Verificar que no obstruye los tubos de llegada y de retorno de agua.</li> <li>3. Verificar que no hay fugas en el tubo de agua (caracterizadas por burbujas de aire que vuelven hacia la piscina).</li> <li>4. Efectuar un contralavado del filtro.</li> </ol>	<ol style="list-style-type: none"> <li>1. Controlar la presencia de algas en la piscina y, si fuera necesario, añadir desinfectantes.</li> <li>2. Verificar que el desinfectante y el pH se encuentran a los niveles requeridos (ajustar si fuera necesario).</li> <li>3. Cerciorarse de que la superficie de la arena no se ha solidificado o atascado (si este fuera el caso, retirar de 2 a 3 centímetros de arena).</li> </ol>	<ol style="list-style-type: none"> <li>1. Verificar los niveles de desinfectante, de pH y de alcalinidad total y, si fuera necesario, ajustar.</li> <li>2. Comprobar que el caudal de filtración es correcto.</li> <li>3. Hacer funcionar el filtro durante más tiempo.</li> <li>4. Comprobar que la válvula está en la posición "Filter"</li> <li>5. Comprobar que la instalación está correctamente conectada.</li> </ol>

### REPARACIONES Y MANTENIMIENTO

Consultar al distribuidor local de Hayward ó a la empresa de servicio. No se podrá enviar ningún material a nuestros almacenes sin previo acuerdo por escrito. Si persiste el mal funcionamiento o hay algún otro fallo de funcionamiento, dirigirse al vendedor/instalador. Indicamos de modo expreso que HAYWARD no asume la responsabilidad de los daños causados por sus aparatos, en la medida en que estos puedan ser causados por una reparación no conforme, o durante un cambio de piezas, si no se han utilizado piezas de origen HAYWARD o si la reparación no se ha efectuado conforme a las directivas HAYWARD, o incluso si las informaciones de esta guía no se han seguido. Esto vale también para cualquier agregación de piezas y accesorios diferentes de los aconsejados por HAYWARD.

### CONDICIONES DE GARANTIA :

Todos los productos HAYWARD están garantizados contra todo vicio de construcción o de material durante un periodo de un año a partir de la fecha de compra. Toda petición de garantía deberá acompañarse con la prueba de compra justificando la fecha de la misma. Aconsejamos conservar siempre su factura. Nuestra garantía queda limitada al reemplazo sin cargo de las piezas defectuosas, con la condición que los equipos hayan sido empleados normalmente, y de acuerdo con las instrucciones mencionadas en su manual de utilización, la garantía no cubre los productos que después de la expedición han sido manipulados, modificados o empleados para otros usos, o bajo otros modos de empleo, diferentes a los que recomendamos. Los perjuicios ocasionados por las condiciones climatológicas o las producidas por agentes químicos están exentos de garantía. Todo gasto de transporte, mano de obra, están excluidos de la garantía. HAYWARD no será responsable bajo ningún concepto de perjuicios directos e indirectos causados por el funcionamiento incorrecto de un producto o de sus accesorios. Para poder cubrir una garantía y pedir la reparación o la sustitución de un artículo, ponerse en contacto con su vendedor habitual. No se podrá enviar ningún material a nuestros almacenes sin previo acuerdo por escrito. Las piezas de repuesto no están cubiertas por la garantía.



**USE ONLY HAYWARD GENUINE REPLACEMENT PARTS**

N°	Model - Modèle - Modelo		
	VL210T	VL240T	VL270T
1	SP0714TE / SP0714TC	SP0714TE / SP0714TC	SP0714TE / SP0714TC
2	ECX271261	ECX271261	ECX271261
3	GMX600F	GMX600F	GMX600F
4	GMX600NM	GMX600NM	GMX600NM
5	SCN202S	SCN202S	SCN202S
6	SWX210DA	SWX240DA	SWX240DA
7	SX180LA	SX180LA	SX180LA

PEÇAS SOBRESSELENTES REPLACEMENT PARTS - PIECES DETACHEES -

### Specifications - Spécifications - Especificaciones

Max. work. pressure - Pression max. d'utilisation - Presion max. de utilizacion = 3.4 bars (50 psi)

Model	Filtration Area	Design Flow Rate	Pressure loss at design flow rate	Sugg. Clearance		Media required	
Modèle	Surface de filtration	Débit recommandé	Perte de charge au débit recommandé	Dégagement suggéré		Sable requis	
Modelo	Superficie de Filtracion	Caudal Previsto	Perdida de presion con caudal nominal	Espacio libre recomendado		Carga de Silex	
	m <sup>2</sup> (ft <sup>2</sup> )	lpm (gpm)	Bars (psi)	Side Côté Lateral  mm (in)	Above Dessus Superior  mm (in)	Type Type Tipo  mm	Amount Quantité Cantidad  kg (lb)
VL210T	0.20 (2.15)	132 (35)	0.01 (1.73)	450 (18)	450 (18)	0,45 - 0,55	65 (150)
VL240T	0.29 (3.12)	189 (50)	0.02 (3.46)	450 (18)	450 (18)	0,45 - 0,55	90 (200)
VL270T	0.34 (3.66)	227 (60)	0.03 (5.19)	450 (18)	450 (18)	0,45 - 0,55	130 (300)



## Rainbow Pool Products

PO Box 2388, Mansfield Qld 4122

Telephone STD 61-7-3849 5385

Facsimile STD 61-7-3849 5384

Email: [info@rainbowpoolproducts.com.au](mailto:info@rainbowpoolproducts.com.au)

Web: [www.rainbowpoolproducts.com.au](http://www.rainbowpoolproducts.com.au)